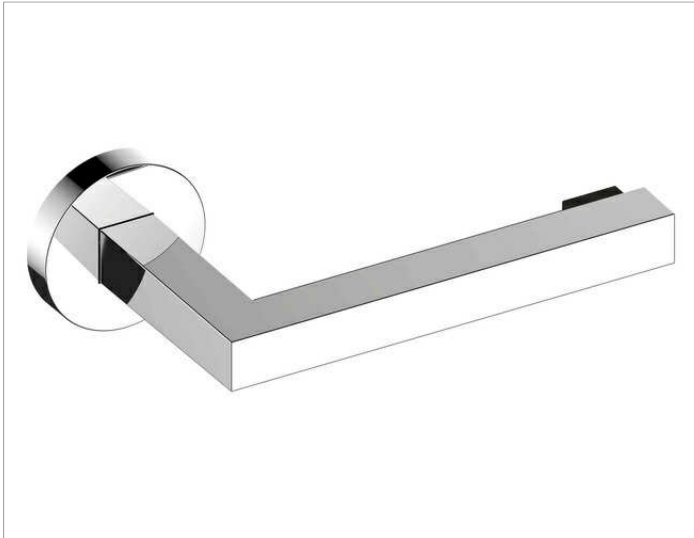


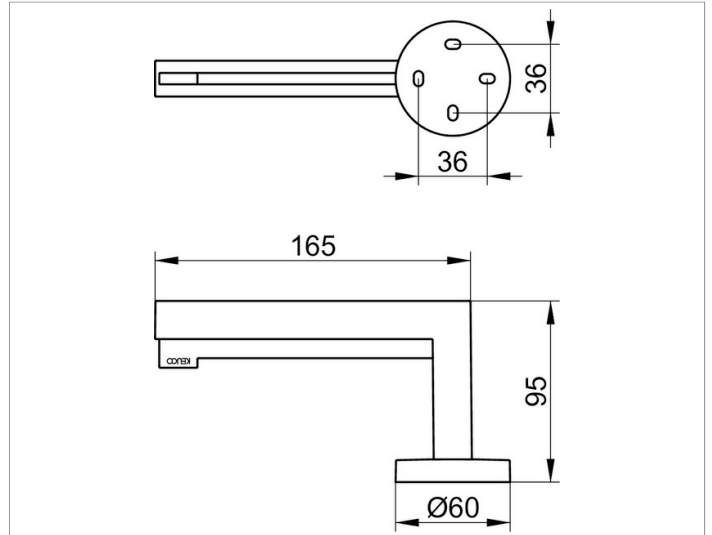
Edition 90

19062010000 Toilet paper holder

PRODUCT



DRAWING



PRODUCT ATTRIBUTES

open form, with roll brake
for 100/120 mm wide paper rolls

SURFACE

chrome-plated